

MHUB 100A.

Available in (4x4) and (6x6) variants.



Product Code

MHUB44100A / MHUB66100A

4 inputs / 4 outputs (4x4) **6 inputs / 6 outputs** (6x6)

100m / 394ft (4K) | **150m / 492ft** (1080p)

Down scaling on all outputs

HDMI Output Mirrors

Line-level (Pre-Out) volume control

5 Year Warranty with cloud registration

Standard Warranty 2 years

MHUB is a single-brand integrated smart home solution, which can include in-room remotes for midmarket luxury residential and light commercial projects. With 'uControl inside', HDA's everyday smart home hubs are cleverly disguised as an AV Matrix.

The uControl Processor inside HDANYWHERE's newest 4x4 and 6x6 MHUB transforms it into an integrated smart home hub for managing media, music and mood, room-to-room with the groundbreaking uControl Smart Remote or app, in up to 6 zones.

Setup & control.



uOS web GUI

Manage all system settings, switch audio inputs and control volume/EQ states.



uControl (app/voice)

Downloaded over 10,000+ times, uControl is the easiest way to control MHUB.



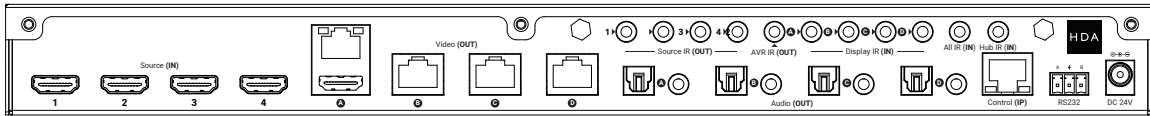
uControl Remote

One remote for controlling all your HDANYWHERE system and more.

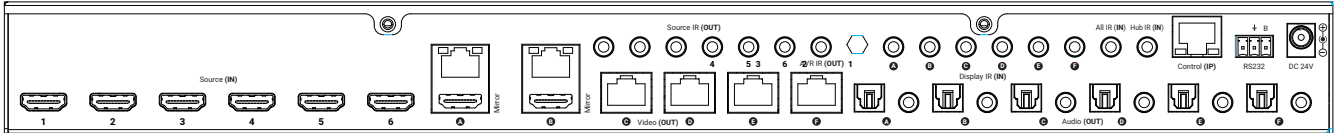
MHUB (4x4) 100A
MHUB44100A
2.50.913

MHUB (6x6) 100A
MHUB66100A
2.50.905

Specifications.



MHUB (4x4) 100A



MHUB (6x6) 100A

Form.

Chassis	(4x4) 372 x 165 x 36 (6x6) 440 x 226 x 44
Display receiver	140 x 65 x 18mm
Weight	(4x4) 1631g (6x6) 3025g (RX) 126g
Material	Chassis: Steel and Aluminium RX: Aluminium
Colour	Carbonite (grey)
Operating temp	0°C - 40°C / 32°F - 104°F
Storage temp	-20°C - 60°C / -4°F - 140°F
Relative humidity	20 - 90% (Non-condensing)

Technical.

Trans distance	1080p 150m / 492ft 4K 100m / 394ft
Video resolution	Up to 4K@60Hz (4:4:4) with HDR
HDR formats	HDR10, HDR10+, Dolby Vision, HLG*
HDMI audio formats	PCM 2.0 / 5.1 / 7.1, Dolby Digital / Plus / EX, Dolby True HD, DTS, DTS-EX, DTS-96 / 24, DTS High Res, DTS-HD Master Audio, DSD
Audio extraction	Optical: PCM 2.0, Dolby Digital, DTS 5.1 3.5mm Stereo: LPCM 2Ch
Stereo audio formats	PCM 2.0 44.1 / 48 / 88.2 / 96 / 176.4 / 192KHz, 16 / 20 / 24bit
MHUB Power	24V 2.7A (4x4) / 24V 3.75A (6x6)
Display receiver Power	24V PoC (Power over Cat)
Power Consumption	55.2W Max (4x4) / 75W Max (6x6)

Video & audio IO.

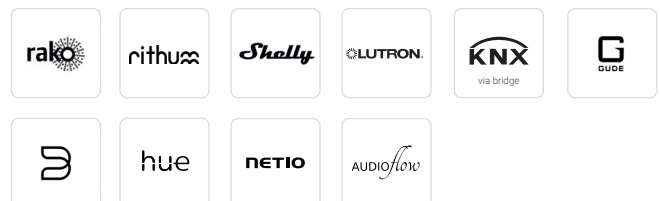
Inputs (4x4)	x4 HDMI
Outputs (4x4)	x4 HDBaseT, x1 HDMI (Mirror), x4 Optical, x4 3.5mm Stereo
Inputs (6x6)	x6 HDMI
Outputs (6x6)	x6 HDBaseT, 2 HDMI (Mirror), x6 Optical, x6 3.5mm Stereo

*Only Dolby Vision Low Latency Mode is supported at 60Hz over Video TPC output. **If display supports standard CEC specification.

Third-party control.



Directly integrates with.

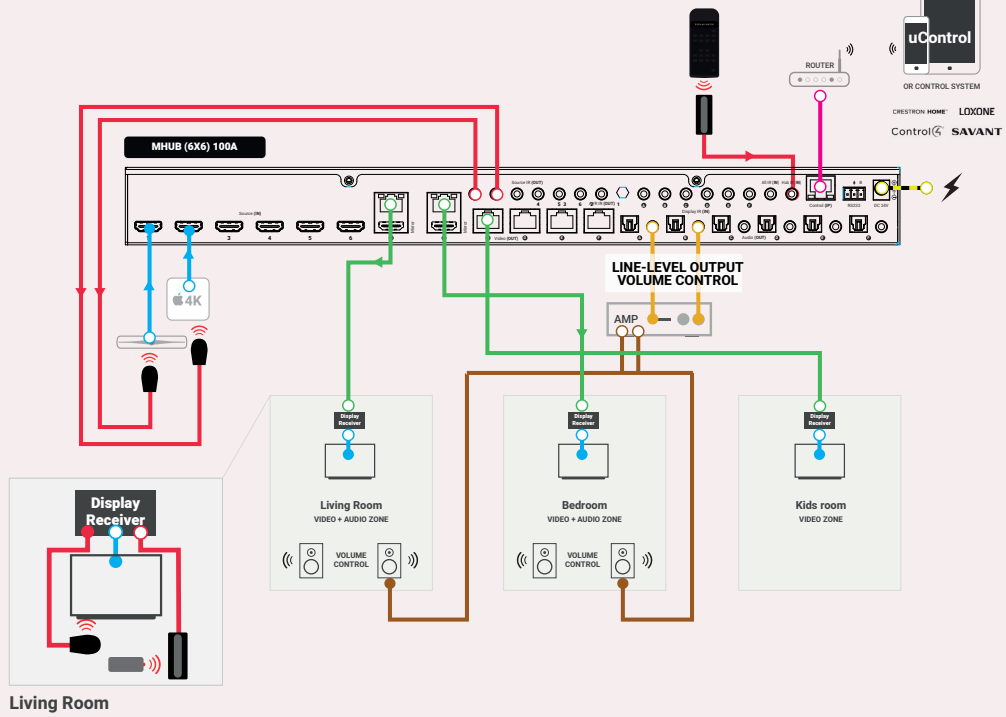


MHUB (4x4) 100A
MHUB44100A
2.50.913

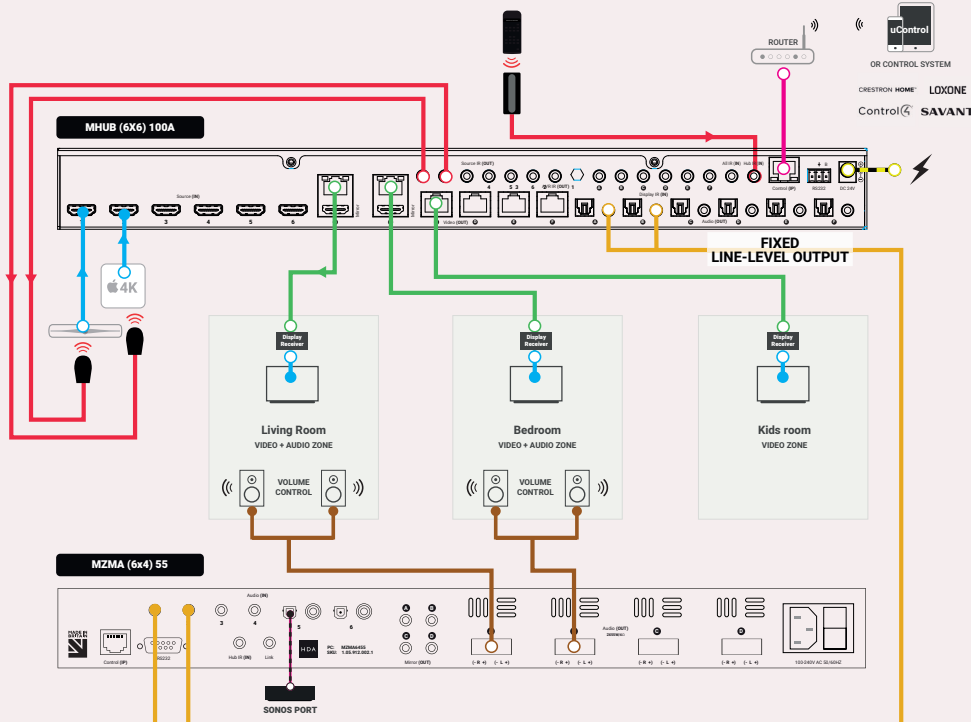
MHUB (6x6) 100A
MHUB66100A
2.50.905

Wiring up.

- HDMI Cable
- Ethernet Cable
- Cat 6 / HDBaseT
- IR RX/TX Cable
- Speaker Cable
- Power
- 3.5mm stereo
- Optical



Standalone



Stacked with MZMA

uControl Remote.

The perfect all-in-one controller for your MHUB system.

A remote first.

uControl Buttons has not been designed to check the CCTV system or change the heating. It is designed to be the only remote control your home needs.

Volume.

Configure uControl Buttons to target all volume commands at the TV, an AVR or amplified speakers.



Room ready or room off.

One-touch room on or room off operations for all your devices.

Create a mood.

Switch the lights to suit listening to music or movie mode. Sun too bright? Drop the shades.

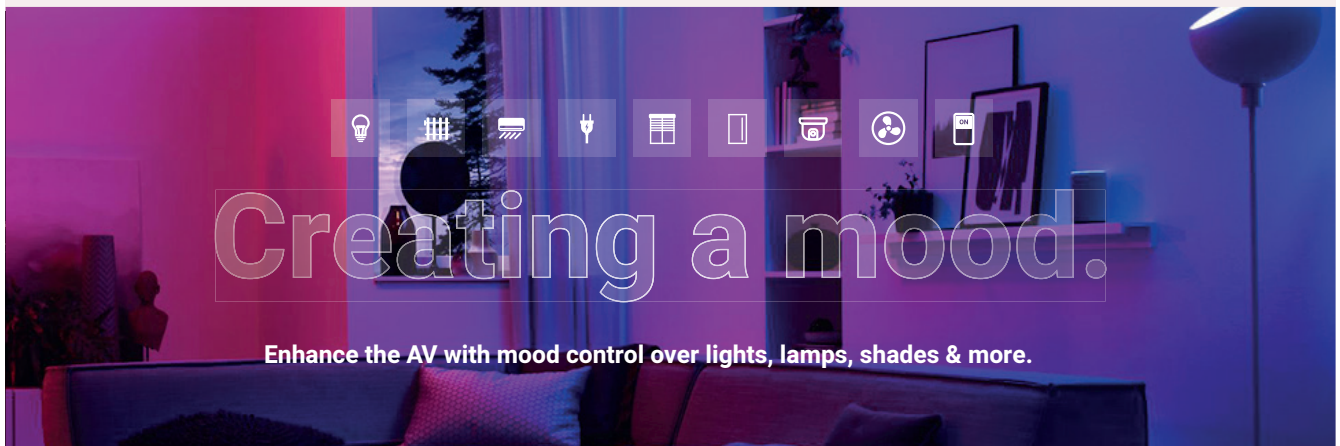
Supports all your AV.

Buttons is an intelligent universal remote control. Control all the devices connected to your MHUB.



In your pocket, on your wrist, on your wall, on yourself.

uControl is available wherever you are.



Creating a mood.

Enhance the AV with mood control over lights, lamps, shades & more.