

DCM4-S DIMMING CONTROL MODULE

4 CHANNEL



OVERVIEW

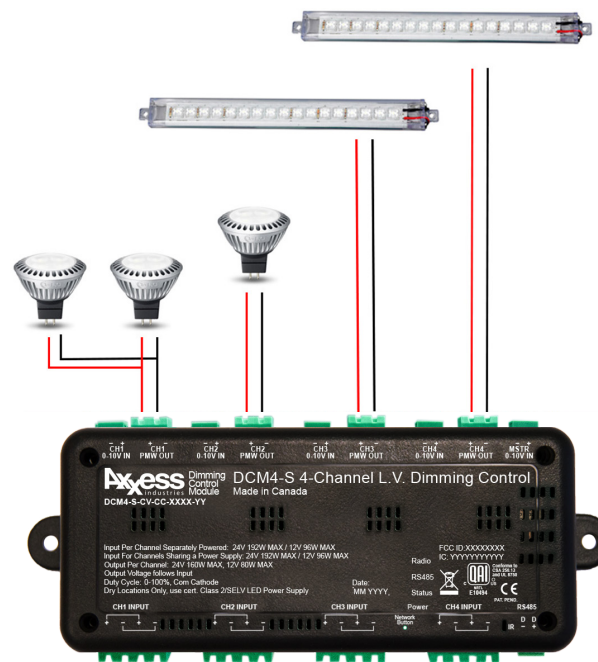
The DCM4-S is a compact, 4 channel, LED driver, and a comprehensive solution to dimming a variety of low voltage lighting loads, such as LED strip lighting, M16 LED lights, etc.

The DCM4-S is ideal for surface mount installations that require smooth and consistent dimming capability of low voltage lighting.

The DCM4-S dims LED loads from 0-100% duty cycle, with a maximum output power of 160 watts per channel. Each channel can have an independent power supply, or all 4 channels can be run off one power supply. (The 4 channels cannot be used for RGB or CCT LED strips)

The 4 channel DCM4-S can be controlled via a ZigBee Pro Wireless or RS485 serial communication. Each channel also has a 0-10VDC input for dimming control.

All control inputs can be applied channel by channel or as a master control for all channels. Pulse Width Modulation (PWM) frequency is at 1250 Hz for flicker-free dimming.



INPUT

- 24VDC OR 12VDC Constant Voltage, LVLE Limited Class 2 or Certified SELV LED Power Supply
- Alternately a SA external fuse at 12V or 4A fuse at 24V or smaller can be used to create a LV LE circuit
- For separate powered channels 24VDC, 192W MAX / 12VDC, 96W MAX per channel
- For channel sharing a power supply 24VDC, 192W MAX / 12VDC, 96W MAX
- Common Cathode, not for use

with RGB or CCT LED Light strips

OUTPUT

12VDC 80W MAX per channel
 24VDC 160W MAX per channel
 Output Voltage follows Input Voltage, on each channel

Dimming via PWM at 1250Hz, flicker-free

INSTALLATION LOCATION

Installation indoors in dry location only

DIMMING CONTROL

- ZigBee Pro Wireless
- RS485
- 0-10V Analog Input
- IR

DRIVER

Control4 Driver Downloadable

HOW TO ORDER

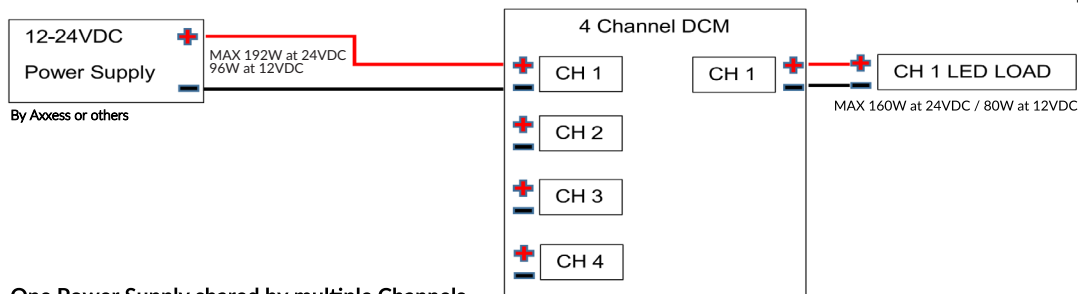
axxind.com/dealers

COMPLIANCE/APPROVALS

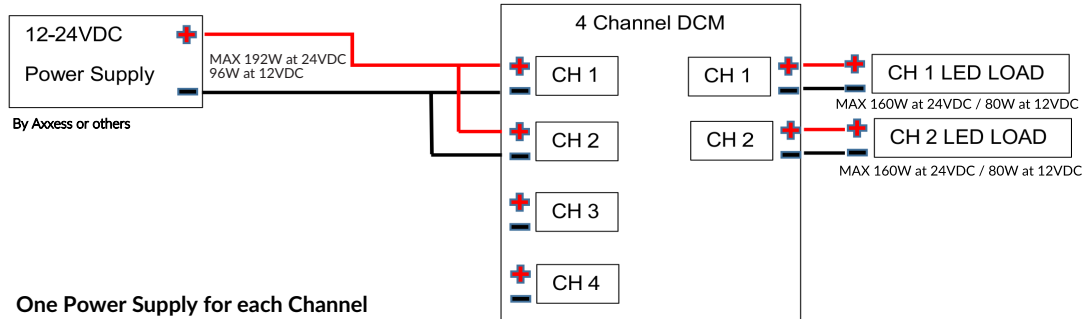
Listed, Conforms to CSA 250.13 and UL 8750



Single Channel Deployment



One Power Supply shared by multiple Channels



One Power Supply for each Channel

